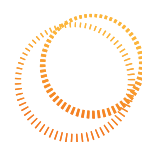


DESIGNED FOR COMFORT BUILT FOR DURABILITY

Pergola and Bioclimatic



SHADEEX
YOUR SOLAR PROTECTOR

INDEX

Look Book

High-Tech (1)

Privacy (5)

Economy (9)

Strength (13)

Space (17)

Customization

Ceiling Fabric (21)

Structure Finish and Color (22)

Optional Products

Zip Screen (23)

Guillotine (24)

Lighting (25)

Control & Automation (25)

Structure, Material & Practical Specifications

Water Drainage (26)

Pergola Body and Runner Beam (27)

Bioclimatic Build and Sealing Properties (28)

Double-Pitch Pergola Modulation (29)

Single-Pitch Pergola Modulation (30)(31)

Bioclimatic Modulation (31)

Bioclimatic Wind and Snow Resistance (32)

Pergola Slope Calculation Table (33)

Pergola Wind Resistance (34)

HIGH-TECH

Cutting Edge Technology & Excellence in Design



Colors & Finishes
Page 22

Lighting Solutions
Page 25

Engineering Specifications
Page 26,28

Optional Products
Page 23-25

Control & Automation
Page 25

Shades have been there for a long time, they have protected us from the sun and the rain, but there is one thing they could not do, and that is mastering the wind. On a hot summer day, having a cool breeze could mean between satisfaction and frustration, the same goes for under extreme sunshine where having the ability to adjust the sun's heat would change the experience significantly. High-Tech Line takes an entirely different approach to create shades and shelter. The blades help to adjust the amount of sunshine and the direction of airflow to provide the complete freedom and best experience. When completely closed, shades shelter the space against weather, dust and all unwanted environmental elements. With the products such as Zipscreen and Guillotine Glass, it could become a fully enclosed area perfect for use as a garage or workshop in your open space.

Max Width 4.5 m	Max Projection 8 m	Snow Resistance Up to 336 kg/m²
---------------------------	------------------------------	---

Best For
Houses, Private Clubs, Boutique Hotels

Available Structure Shapes



1H - 01



1H - 02





PRIVACY

For Your Home



Colors & Finishes Page 22	Ceiling Fabric Page 21
Engineering Specifications Page 26,27	Lighting Solutions Page 25
Control & Automation Page 25	Optional Products Page 23-25

The choice between open spaces and privacy has been around for as long as we can remember. Private life always had to happen behind the walls of our homes, especially in properties with not very tall walls we can never be entirely away from the uninvited gaze of neighbours and passers-by. For this reason alone, we cannot feel as comfortable in open spaces of our properties. SHADEEX offers a solution for people who hate tall view-blocking walls but also like their privacy. Our Privacy line is meant for precisely this, coming with complementary products like Zipscreen and Glass Systems, we create a safe and open space in your property with a reasonable budget that doesn't ruin your view. The structures are available in all shapes and colours to make your property look even better, and the grass greener on your side.

Max Width 10.5 m	Max Projection 10 m	Wind Resistance Up To 110 km/h
----------------------------	-------------------------------	--

Best For
Houses, Verandas, Terraces,
Private Clubs, Boutique Hotels

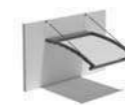
Beam Type
Elegant (page 27)
Avantgarde (page 27)



Available Structure Shapes (Also available without wall support)



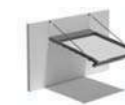
1C - 01



1C - 02



1L - 01



1L - 02



ECONOMY

Get the Most Value at a Bargain



Colors & Finishes Page 22	Ceiling Fabric Page 21
Engineering Specifications Page 26,27	Lighting Solutions Page 25
Control & Automation Page 25	Optional Products Page 23-25

Adding pergolas to your property shouldn't break your bank. You might have a small cosy coffee-shop on the corner or want to cover some area in front of your property meaning that you don't want to spend too much but also have a fancy shade at your service. We have the Economic Line for this purpose exactly. By using cables and narrower structure, we significantly reduce the cost of the project, and it also might be even necessary given your space. The structures in this Line share the same quality as the other lines and are only a little smaller and are even smarter.

Max Width 10.5 m	Max Projection 7 m	Wind Resistance Up To 90 km/h
----------------------------	------------------------------	---

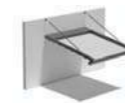
Best For
Houses, Small Cafe & Restaurants,
Private Clubs

Beam Type
Elegant (page 27)

Available Structure Shapes



1L - 01



1L - 02





STRENGTH

For Extreme Weather Conditions



Colors & Finishes
Page 22

Ceiling Fabric
Page 21

Engineering Specifications
Page 26,27

Lighting Solutions
Page 25

Control & Automation
Page 25

Optional Products
Page 23-25

Humankind has always thrived against hardships. We build where no building is supposed to be built, and we are proud of it. We accomplish that by utilizing engineering and craftsmanship to its best. There are many properties in mountainous areas with lots of snowfall in the winters and many seaside beach clubs with extreme wind-storms hitting them now and then. At SHADEEX, we have developed the Strength Line to push the limits of the space in harsher environments even further. Taking advantage of an ultra-strong static design along with robust materials in rails, columns and the ceiling, we provide strength and give freedom to property owners to extend their usable space beyond their walls with ease of mind.

Max Width
10.5 m

Mono-Pitch Max Projection Up to
8 m

Wind Resistance Up To
117 km/h

Snow Resistance Up to
75 kg/m²

Best For
Hotels, Restaurants, Swimming Pools

Beam Type
Avantgarde (page 27)



Available Structure Shapes



1C - 01



1L - 01



2C - 01



2L - 01



SPACE

Maximize the Utility of Your Open Space



Colors & Finishes
Page 22

Ceiling Fabric
Page 21

Engineering Specifications
Page 26,27

Lighting Solutions
Page 25

Control & Automation
Page 25

Optional Products
Page 23-25

There is nothing more refreshing than ample, open space, especially when it has an extensive shade on it. It provides a sense of luxury and abundance, which is meditative to most people. Bigger spaces help businesses and properties to provide services to more people and create a sense of grandeur. Having the option to add a roof that can retract whenever the weather agrees, ensures that the flow of experience is never interrupted, which is something businesses would most likely want in their service area. SHADEEX provides unique design and equipment for large areas under its Space Line. Using light and durable materials in addition to designing structures that can cover areas of up to 200 m² (per module), we make sure that the shape of the structure matches the customer needs and also creates harmony and unity within the space.

Max Width
10.5 m

Max Projection
20 m

Wind Resistance Up To
90 km/h

Best For

Roof Tops, Wedding Halls, Restaurants, Swimming Pools

Beam Type

Elegant (page 27)
Avantgarde (page 27)



Available Structure Shapes



2C - 01



2C - 02



2L - 01



2L - 02



Ceiling Fabric By Serge Ferrari

Précontraint 602 Opaque is a fireproof membrane that offers total opacity. This would mean complete thermal comfort and protection from UV light coming from the sun. Made for constant, maintenance-free use along with the many colour choices, it offers designers the freedom to match the surroundings of the structure and bring all the elements together.



Blocking Heat Up To
97%

Unit Area Weight
EN ISO 2286-2
.75 kg/m²

Fire Proof
CL-2 EN 13773
FR

Color Choices up to
30



The ceiling fabric is available in three primary colours as the standard, and for custom orders, we can provide the fabric in various other colours.

Serge Ferrari Standard Colors

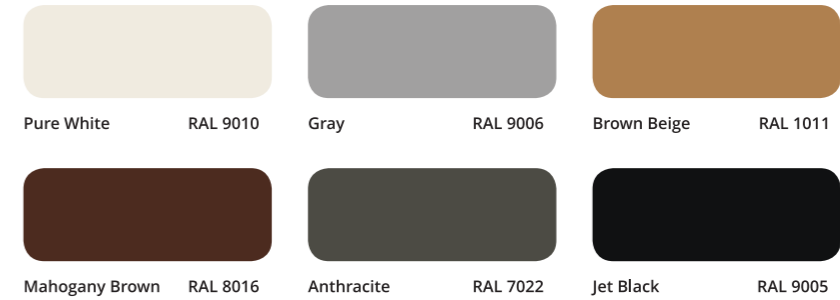
Blackout
Précontraint 602 opaque
(Available in custom colors)



Structure Color and Finish

We provide an extension to your property and always make sure it looks as if it was always planned to be there. Our Pergolas utilize aluminium all over the structure to ensure lightness and strength at an optimum; however, you can cover the body and the columns with one of our many colours and finish choices as you can see below.

Metal Finishes



Wood Finishes












Zip Screen By **Serge Ferrari**



Blocking Heat Up To	Max Height	Max Width
97%	7m	3.7m
Fire Proof CL-2 EN 13773	Color Choices up to	Unit Area Weight EN ISO 2286-2
FR	30	.75 kg/m ²

Perfect for creating partial shades and creating privacy for sides the structures, Zip Screen is an affordable, light and practical solution to complete the experience. By blocking only the infrared from the sun, it ensures that natural light finds its way into the structure and offering outward acceptable visibility to also provide privacy when needed. It is made of the same fabric as the ceiling and together with its many choices of colour, it will not only fit the holistic design of the structure, but make it look even more eye-catching.









		
white 86-2044	concrete 86-2167	champagne 86-2175
		
white 92-2044	concrete 92-2167	champagne 92-2175
		



Guillotine

Weather doesn't always agree to our plans, wind, rain, and cold weather, in general, are commonly challenging when it comes to open spaces. To completely take control of the area covered by our structures, we can suggest adding Guillotine to your list. It will be opened and retract using a remote control and isolate your designated area from unwanted environmental factors.



Max Height	Max Width	
4m	3m	
		
		
2 Panels	3 Panels	Wind Shield



Lighting Solutions

For lighting the structure, we offer two solutions, spotlights and beam LED lights. Spotlights provide an ambient, moody environment while beam LED lights fit in the structure seamlessly and create a sophisticated look.



Control & Automation

Pergolas are there to give us comfort and ease of mind. They provide freedom from the factors that can undermine the experience; therefore, we make sure our shading structures do what they are built to do when they are supposed to. Our pergolas can be equipped with sensors of light, wind and rain to change the settings according to the environmental factors automatically, we also have remote control systems to make your structure work at your will.



TELIS 4 and 16 RTS

Hand-held remote extends control of motorized products up to 4 and 16 different channels within 65 feet of range.



DECOFLEX WIREFREE™ RTS

Battery-powered and a completely wireless wall switch.



ONDEIS® WIREFREE RTS RAIN AND SUN SENSOR

Solar-powered combined rain and sun sensor. The Sensor is completely wireless and uses optical rain-sensing technology and a sun-level sensor.



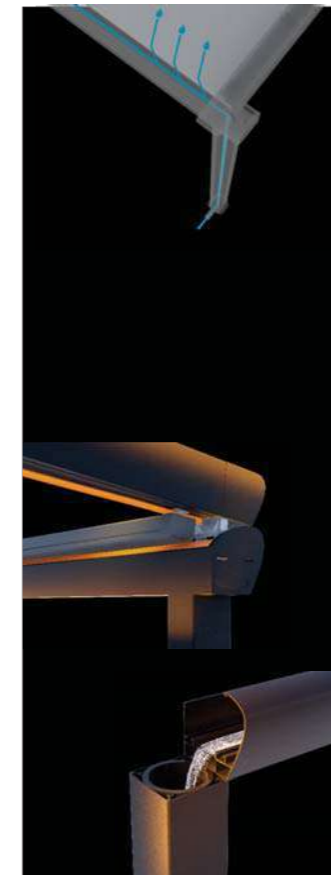
THE SOLIRIS RTS SUN AND WIND SENSOR

Automatically controls your RTS motorized products based on current weather conditions.

Water Drainage

The structures are made to move raindrops of the ceiling as fast as possible, other than standard slope that will cause water to slide down the structure also uses an embedded water draining system that connects the ceiling to the ground and does not let water to slide down from unwanted sections of the structure.

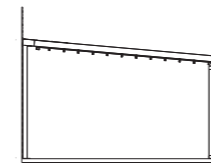
Drainage System in Pergola



Drainage System in Bioclimatic



Pergola
Slope
Calculation
Table
Page 33



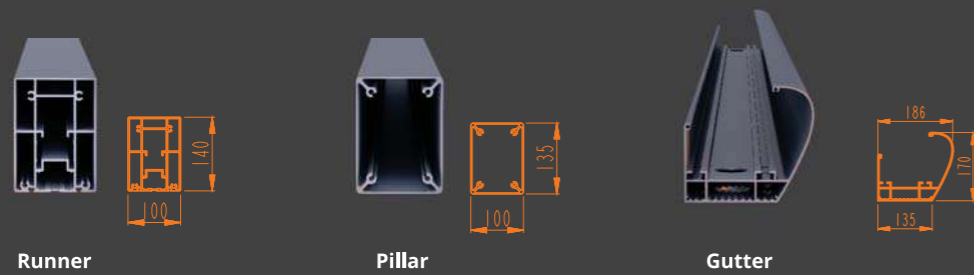
Water Insulation in Pergola



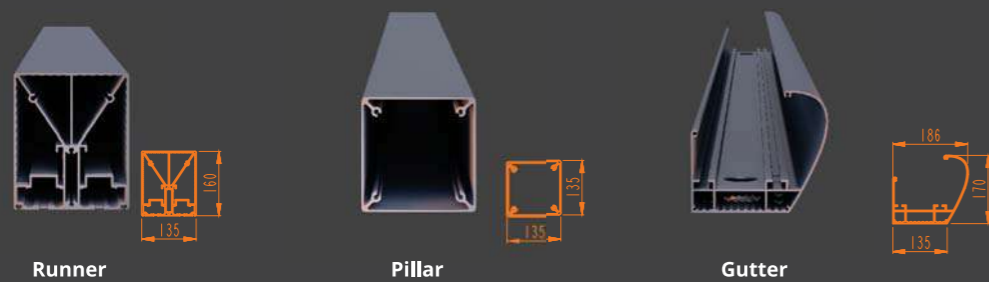
Pergola Body and Runner Beam

We have two different series of aluminium beams for our pergolas. Elegant is light and well built to achieve optimal budget/utility balance, Avantgarde is heavier and stronger usually used in the process of building over bigger spaces or when the weather conditions call for a more robust structure.

ELEGANT



AVANTGARDE

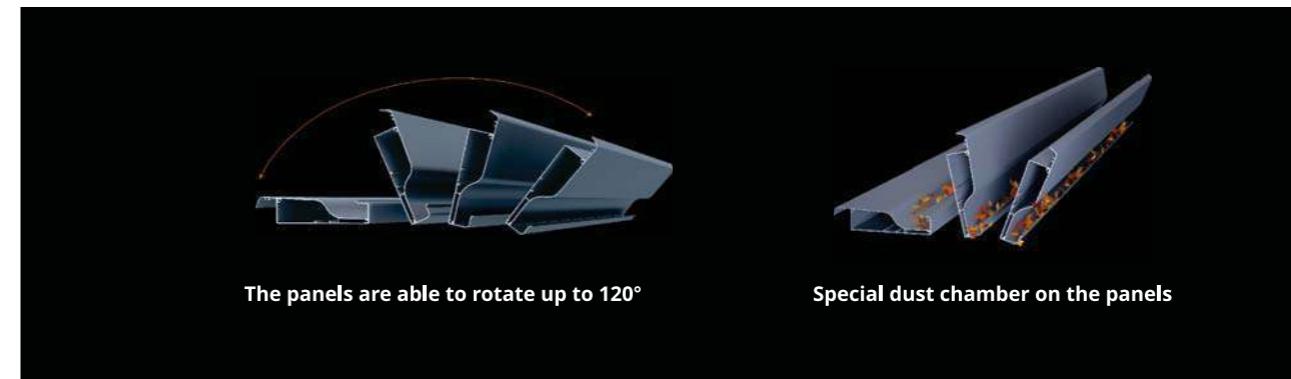


Bioclimatic Build and Sealing Properties

Bioclimatic structures are designed to collect and keep the dust in a small chamber in order to prevent it from falling down when closing the ceiling. Bioclimatic panels also have the ability to completely seal the structures against water or air.



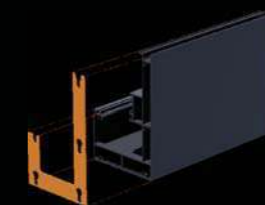
Panel and Gutter Integrated Sealing



The panels are able to rotate up to 120°

Special dust chamber on the panels

Multi-layered sealing system using several gaskets



Water blocking barrier


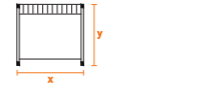
Double Pitch Pergola Modulation

		ELEGANT x: 250 -400cm y: 500 -1200cm	AVANTGARDE x: 250 -400cm y: 500 -1200cm
		ELEGANT x: 400 -800cm y: 500 -1200cm	AVANTGARDE x: 400 -800cm y: 500 -1200cm
		ELEGANT x: 800 -1050cm y: 500 -1200cm	AVANTGARDE x: 800 -1050cm y: 500 -1200cm
		ELEGANT x: 250 -400cm y: 500 -1200cm	AVANTGARDE x: 250 -400cm y: 500 -1200cm
		ELEGANT x: 400 -800cm y: 500 -1200cm	AVANTGARDE x: 400 -800cm y: 500 -1200cm
		ELEGANT x: 800 -1050cm y: 500 -1200cm	AVANTGARDE x: 800 -1050cm y: 500 -1200cm
		ELEGANT x: 250 -450cm y: 500 -1400cm	AVANTGARDE x: 250 -450cm y: 500 -2000cm
		ELEGANT x: 450 -900cm y: 500 -1400cm	AVANTGARDE x: 450 -900cm y: 500 -2000cm
		ELEGANT x: 900 -1050cm y: 500 -1400cm	AVANTGARDE x: 900 -1050cm y: 500 -2000cm
		ELEGANT x: 250 -400cm y: 500 -1400cm	AVANTGARDE x: 250 -400cm y: 500 -2000cm
		ELEGANT x: 400 -800cm y: 500 -1400cm	AVANTGARDE x: 400 -800cm y: 500 -2000cm
		ELEGANT x: 800 -1050cm y: 500 -1400cm	AVANTGARDE x: 800 -1050cm y: 500 -2000cm

Single Pitch Pergola Modulation


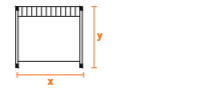
		ELEGANT x: 250 -400cm y: 250 -600cm	AVANTGARDE x: 250 -400cm y: 250 -700cm
		ELEGANT x: 400 -800cm y: 250 -600cm	AVANTGARDE x: 400 -800cm y: 250 -700cm
		ELEGANT x: 800 -1050cm y: 250 -600cm	AVANTGARDE x: 800 -1050cm y: 250 -700cm
		ELEGANT x: 250 -400cm y: 250 -600cm	AVANTGARDE x: 250 -400cm y: 250 -700cm
		ELEGANT x: 400 -800cm y: 250 -600cm	AVANTGARDE x: 400 -800cm y: 250 -700cm
		ELEGANT x: 800 -1050cm y: 250 -600cm	AVANTGARDE x: 800 -1050cm y: 250 -700cm
		ELEGANT x: 250 -450cm y: 250 -700cm	AVANTGARDE x: 250 -450cm y: 250 -1000cm
		ELEGANT x: 400 -900cm y: 250 -700cm	AVANTGARDE x: 450 -900cm y: 250 -1000cm
		ELEGANT x: 900 -1050cm y: 250 -700cm	AVANTGARDE x: 900 -1050cm y: 250 -1000cm
		ELEGANT x: 250 -400cm y: 250 -700cm	AVANTGARDE x: 250 -400cm y: 250 -1000cm
		ELEGANT x: 400 -800cm y: 250 -700cm	AVANTGARDE x: 400 -800cm y: 250 -1000cm
		ELEGANT x: 800 -1050cm y: 250 -700cm	AVANTGARDE x: 800 -1050cm y: 250 -1000cm

Single Pitch Pergola Modulation

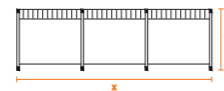
ELEGANT
x: 250 -450cm
y: 250 -700cm

AVANTGARDE
x: 250 -450cm
y: 250 -1000cm

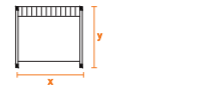
ELEGANT
x: 400 -900cm
y: 250 -700cm

AVANTGARDE
x: 450 -900cm
y: 250 -1000cm



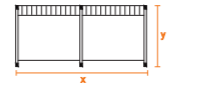
ELEGANT
x: 900 -1050cm
y: 250 -700cm

AVANTGARDE
x: 900 -1050cm
y: 250 -1000cm



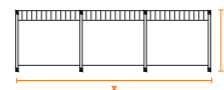
ELEGANT
x: 250 -400cm
y: 250 -600cm

AVANTGARDE
x: 250 -400cm
y: 250 -1000cm



ELEGANT
x: 400 -800cm
y: 250 -700cm

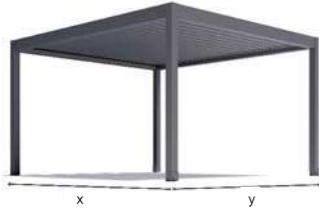
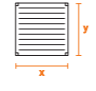
AVANTGARDE
x: 400 -800cm
y: 250 -1000cm




ELEGANT
x: 800 -1050cm
y: 250 -700cm

AVANTGARDE
x: 800 -1050cm
y: 250 -1000cm


Bioclimatic Modulation


x: 200 - 450cm
y: 223.5 - 603.5cm




x: 200 - 450cm
y: 603.5 - 803.5cm




x: 450 - 900cm
y: 603.5 - 803.5cm



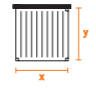
x: 200 - 450cm
y: 223.5 - 603.5cm




x: 200 - 450cm
y: 603.5 - 803.5cm



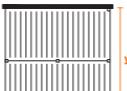
x: 450 - 900cm
y: 603.5 - 803.5cm



x: 223.5 - 603.5cm
y: 200 - 450cm



x: 603.5 - 803.5cm
y: 200 - 450cm



x: 603.5 - 803.5cm
y: 450 - 900cm

Bioclimatic Wind and Snow Resistance

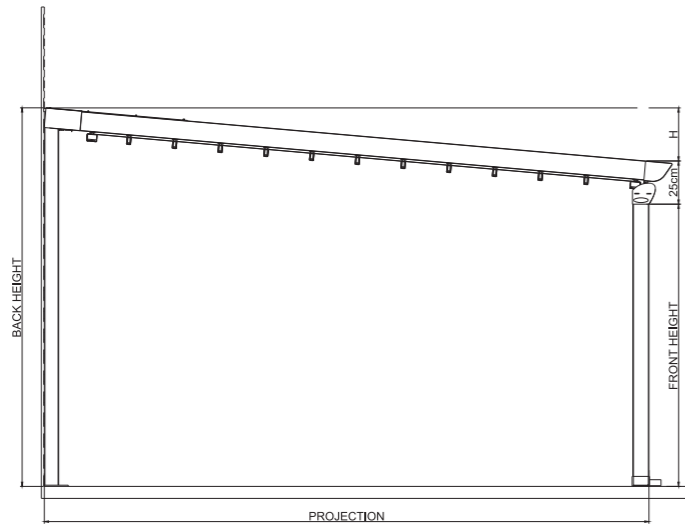
Bioclimatic structures are designed to withstand wind and snow to provide the reliability that is expected from them. You can see the specifications in the below table. The wind resistance values are given according to the Beaufort scale calculated for Products with a front height of 250 cm according to Eurocode EN 1991-1-4 Terrain Category 4.

Snow Weight kg/m ²	Width										
	200 cm	225 cm	250 cm	275 cm	300 cm	325 cm	350 cm	375 cm	400 cm	425 cm	450 cm
223.5 cm	426	426	426	426	426	421	394	372	354	336	318
243.5 cm	421	421	421	412	412	394	372	349	332	314	300
263.5 cm	412	412	403	403	390	372	349	332	314	296	282
283.5 cm	408	408	399	390	376	354	332	314	296	282	273
303.5 cm	403	403	394	376	358	336	314	296	282	269	255
323.5 cm	399	399	390	367	340	318	300	282	273	255	246
343.5 cm	394	394	381	354	327	305	291	273	264	246	233
363.5 cm	376	376	349	323	300	282	264	251	242	228	215
383.5 cm	367	363	336	309	282	269	242	228	215	202	188
403.5 cm	358	340	305	273	251	228	211	197	184	170	161
423.5 cm	336	296	264	237	215	197	184	170	161	148	139
443.5 cm	296	260	233	211	188	175	157	148	139	130	121
463.5 cm	260	228	202	184	166	152	139	130	121	112	108
483.5 cm	228	202	179	161	143	134	125	112	103	99	96
503.5 cm	179	157	139	125	112	103	96	96	96	96	96
523.5 cm	161	139	121	112	99	96	96	96	96	96	96
543.5 cm	143	125	108	99	96	96	96	96	96	96	96
563.5 cm	125	112	99	96	96	96	96	96	96	96	96
583.5 cm	112	99	96	96	96	96	96	96	96	96	96
603.5 cm	399	399	390	372	354	332	309	291	278	264	251
623.5 cm	394	394	385	363	336	314	296	278	269	251	242
643.5 cm	390	390	376	349	323	300	287	269	260	242	228
663.5 cm	390	390	376	349	323	300	287	269	260	242	228
683.5 cm	381	381	363	332	309	287	273	255	246	233	220
703.5 cm	381	381	363	332	309	287	273	255	246	233	220
723.5 cm	372	372	345	318	296	278	260	246	237	224	211
743.5 cm	372	372	345	318	296	278	260	246	237	224	211
763.5 cm	363	358	332	305	278	264	237	224	211	197	184
783.5 cm	363	358	332	305	278	264	237	224	211	197	184
803.5 cm	354	336	300	269	246	224	206	193	179	166	157

Projection	Width					
	200 cm	250 cm	300 cm	350 cm	400 cm	450 cm
400 cm	11	11	11	11	10	9
450 cm	11	11	11	11	10	9
500 cm	11	11	10	10	10	9
550 cm	11	11	10	10	10	9
600 cm	11	11	11	11	10	9
650 cm	11	11	11	11	10	9
700 cm	11	11	11	11	10	9
750 cm	11	11	11	11	10	9
800 cm	11	11	11	11	10	9

BEAUFORT
Wind Resistance
Table for Bioclimatic
Structures

Pergola Slope Calculation Table



Slope	6,4-7,9%	7,4-8,8%	8,4-9,7%	9,4-10,8%	10,4-12%	11,2-12,7%	12-13,4%	13-14,5%	14-15,7%	15-16,6%	16-17,6%
-------	----------	----------	----------	-----------	----------	------------	----------	----------	----------	----------	----------

Rail Centers	200	225	250	275	300	325	350	375	400	425	450
--------------	-----	-----	-----	-----	-----	-----	-----	-----	-----	-----	-----

Projection	H (cm)															
	250	300	350	400	450	500	550	600	650	700	750	800	850	900	950	1000
250	16	19	21	24	26	28	30	33	35	38	40					
300	20	23	26	29	31	34	37	40	42	45	48					
350	23	27	30	34	37	40	43	46	49	53	56					
400	27	31	35	39	42	46	49	53	57	61	64					
450	32	36	40	44	48	52	56	60	64	69	73					
500	36	41	45	50	54	59	63	68	72	77	81					
550	40	45	50	55	60	65	70	75	80	85	90					
600	44	50	55	61	66	72	77	83	88	94	99					
650	49	55	61	67	72	78	84	90	96	102	108					
700	54	60	66	73	79	85	91	98	104	111	117					
750	59	66	72	79	85	92	99	106	112	119	126					
800	63	70	77	85	92	99	106	114	121	129	136					
850	67	75	82	91	99	106	113	122	130	138	146					
900	71	79	87	97	106	113	120	130	139	148	156					
950	75	84	92	103	113	120	127	138	148	157	166					
1000	79	88	97	109	120	127	134	146	157	167	176					

Pergola Wind Resistance

By design, our structures are wind resistant and can withstand winds of up to 117 km/h. You can find the specifications in the table below. The values are given according to the Beaufort scale calculated for Products with a front height of 250 cm according to Eurocode EN 1991-1-4 Terrain Category 4.

		BEAUFORT												
		4.5	5	5.5	6	6.5	7	7.5	8	8.5	9	9.5	10	10.5
Width (m)		4.5	5	5.5	6	6.5	7	7.5	8	8.5	9	9.5	10	10.5
Rails		2	3	3	3	3	3	3	3	3	4	4	4	4
Rail Length (m)	4.0	11	11	11	11	11	11	11	11	11	11	11	11	11
	4.5	11	11	11	11	11	11	11	11	11	11	11	11	11
	5.0	11	11	11	11	11	11	11	11	11	11	11	11	11
	5.5	11	11	11	11	11	11	11	11	11	11	11	11	11
	6.0	11	11	11	11	11	11	11	11	11	10	11	11	11
	6.5	11	11	11	11	11	10	10	10	10	10	11	11	10
	7.0	11	11	11	10	10	10	10	9	9	9	10	10	10
	7.5	11	10	10	10	9	9	9	9	8	8	9	9	9
	8.0	10	10	9	9	9	9	8	8	8	8	9	9	9
	8.5	9	9	9	9	8	8	8	8	8	8	8	8	8
9.0	9	9	8	8	8	8	8	8	7	7	8	8	8	
9.5	9	8	8	8	8	7	7	7	7	7	8	8	7	
10	8	8	8	8	7	7	7	7	7	7	7	7	7	

		BEAUFORT												
		4.5	5	5.5	6	6.5	7	7.5	8	8.5	9	9.5	10	10.5
Width (m)		4.5	5	5.5	6	6.5	7	7.5	8	8.5	9	9.5	10	10.5
Rails		2	3	3	3	3	3	3	3	3	4	4	4	4
Rail Length (m)	4.5	11	11	11	11	11	11	11	11	11	11	11	11	11
	5.0	11	11	11	11	11	11	11	11	10	10	11	11	11
	5.5	11	11	11	11	10	10	10	10	10	9	11	10	10
	6.0	11	10	10	10	10	9	9	9	9	9	10	10	9
	6.5	10	10	9	9	9	9	9	8	8	8	9	9	9
7.0	9	9	9	9	8	8	8	8	8	8	8	8	8	



Istanbul, Turkey
info@shadeex.com
+90 212 445 11 66

WWW.SHADEEX.COM